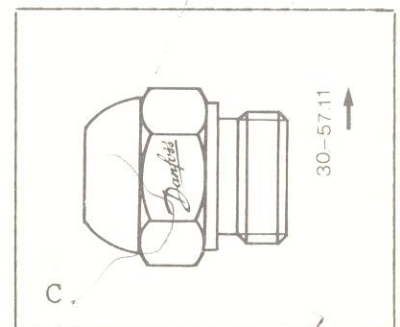
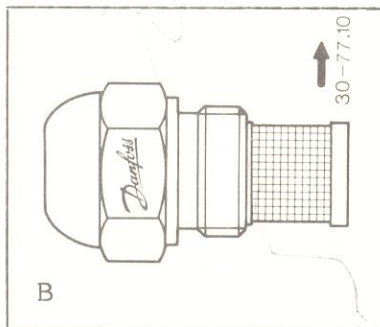
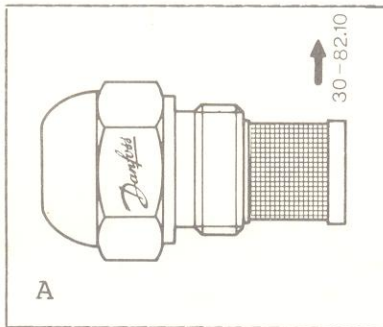


Danfoss oil nozzles with small capacities have a hairfine hole. It is therefore important that the filter makes a tight fit onto the orifice body so that small particles of dirt cannot bypass the filter and block the hole.

The monel filter fits tightly into the orifice body so that the whole of the oil flow is effectively filtered.

Danfoss oil nozzles are supplied with the following:

- A) Capacity range 1.25 - 4,5 kg/h: Monel filter 200 mesh (75 μ)
- B) Capacity range 5,0 - 36 kg/h: Monel filter 100 mesh (139 μ)
- C) Capacity range 40 - 100 kg/h: Without filter.

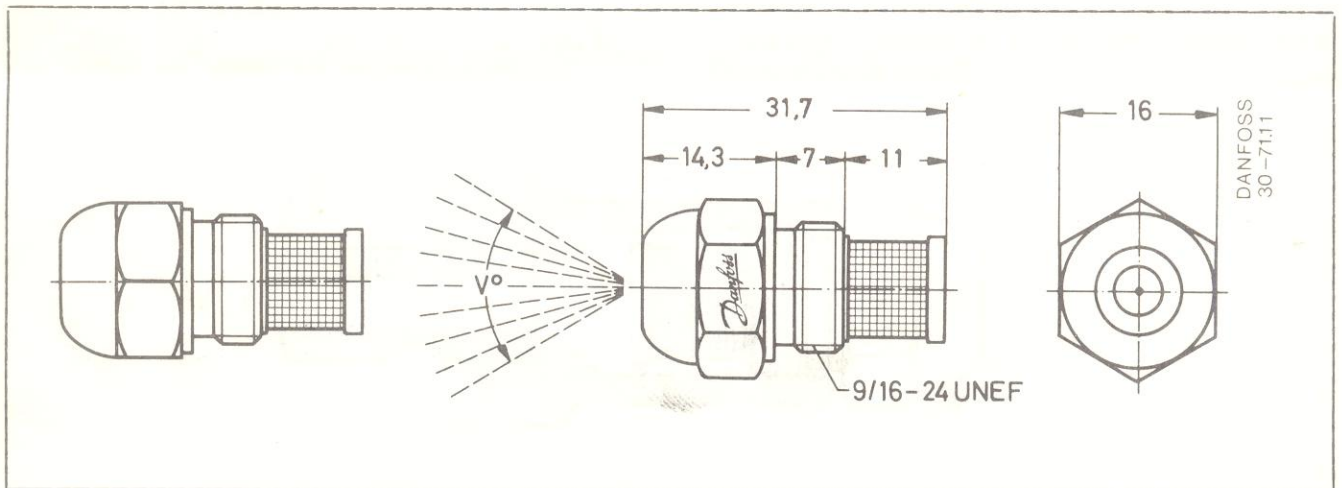




Note

Tests have shown that some types of fuel oils have a tendency to deposit heavy, insoluble residues during the evaporation and oxidation which occurs during long pe-

riods of storage. Therefore, the oil nozzle should be removed or protected against air influence after final testing, if any, of the burner.

Dimensioned sketch



	kg/h	USgal/h	l/h	30°	45°	60°	70°	80°	90°
 <p>S</p>	1,25	0,40	1,51	-	-	030F6104	-	-	-
	1,40	0,45	1,70	-	-	-	030F7106	-	-
	1,60	0,50	1,89	030F3108	030F4108	030F6108	030F7108	030F8108	030F0108
	1,80	0,55	2,08	★	030F4110	030F6110	030F7110	030F8110	030F0110
	2,00	0,60	2,27	030F3112	030F4112	030F6112	030F7112	030F8112	030F0112
	2,25	0,65	2,46	030F3114	030F4114	030F6114	030F7114	030F8114	030F0114
	2,50	0,75	2,84	030F3116	030F4116	030F6116	030F7116	030F8116	030F0116
	2,80	0,85	3,22	030F3118	030F4118	030F6118	030F7118	030F8118	030F0118
	3,20	1,00	3,78	030F3120	030F4120	030F6120	030F7120	030F8120	030F0120
	3,60	1,10	4,16	030F3122	030F4122	030F6122	030F7122	030F8122	030F0122
	3,80	1,20	4,54	030F3123	030F4123	030F6123	030F7123	030F8123	030F0123
	4,00	1,25	4,73	030F3124	030F4124	030F6124	030F7124	030F8124	★
	4,50	1,35	5,11	030F3126	030F4126	030F6126	030F7126	030F8126	★
	5,00	1,50	5,68	030F3128	030F4128	030F6128	030F7128	030F8128	★
	5,30	1,65	6,25	030F3129	030F4129	030F6129	030F7129	030F8129	★
	5,60	1,75	6,62	030F3130	030F4130	030F6130	030F7130	030F8130	-
	6,30	2,00	7,60	030F3132	030F4132	030F6132	030F7132	030F8132	-
	7,10	2,25	8,50	030F3134	030F4134	030F6134	★	030F8134	-
	8,00	2,50	9,50	030F3136	030F4136	030F6136	★	030F8136	-
	9,00	2,75	10,40	030F3138	030F4138	030F6138	★	030F8138	-
10,00	3,00	11,40	030F3140	030F4140	030F6140	★	030F8140	-	
11,20	3,50	13,30	★	030F4142	030F6142	030F7142	030F8142	-	
12,50	4,00	15,10	-	030F4144	030F6144	030F7144	030F8144	-	
14,00	4,50	17,00	-	030F4146	030F6146	030F7146	030F8146	-	
16,00	5,00	19,00	-	030F4148	030F6148	030F7148	★	-	
18,00	5,50	21,00	-	030F4150	030F6150	-	★	-	
20,00	6,00	23,00	-	030F4152	030F6152	-	★	-	
 <p>H</p>	1,25	0,40	1,51	-	-	-	-	030H8104	-
	1,60	0,50	1,89	030H3108	030H4108	030H6108	030H7108	030H8108	030H0108
	1,80	0,55	2,08	★	030H4110	030H6110	★	030H8110	030H0110
	2,00	0,60	2,27	030H3112	030H4112	030H6112	★	030H8112	030H0112
	2,25	0,65	2,46	030H3114	030H4114	030H6114	030H7114	030H8114	030H0114
	2,50	0,75	2,84	030H3116	030H4116	030H6116	030H7116	030H8116	030H0116
	2,80	0,85	3,22	030H3118	030H4118	030H6118	030H7118	030H8118	030H0118
	3,20	1,00	3,78	030H3120	030H4120	030H6120	030H7120	030H8120	030H0120
	3,60	1,10	4,16	030H3122	030H4122	030H6122	030H7122	030H8122	030H0122
	3,80	1,20	4,54	030H3123	030H4123	030H6123	030H7123	030H8123	030H0123
	4,00	1,25	4,73	030H3124	030H4124	030H6124	030H7124	030H8124	★
	4,50	1,35	5,11	030H3126	030H4126	030H6126	030H7126	030H8126	★
	5,00	1,50	5,68	030H3128	030H4128	030H6128	030H7128	030H8128	★
	5,30	1,65	6,25	030H3129	030H4129	030H6129	030H7129	030H8129	★
	5,60	1,75	6,62	030H3130	030H4130	030H6130	030H7130	030H8130	-
	6,30	2,00	7,60	030H3132	030H4132	030H6132	030H7132	030H8132	-
	7,10	2,25	8,50	030H3134	030H4134	030H6134	★	030H8134	-
	8,00	2,50	9,50	030H3136	030H4136	030H6136	★	030H8136	-
	9,00	2,75	10,40	030H3138	030H4138	030H6138	★	030H8138	-
	10,00	3,00	11,40	030H3140	030H4140	030H6140	★	030H8140	-
11,20	3,50	13,30	-	-	-	-	-	-	
12,50	4,00	15,10	-	-	-	-	-	-	
14,00	4,50	17,00	-	-	-	-	-	-	
16,00	5,00	19,00	-	-	-	-	-	-	
18,00	5,50	21,00	-	-	-	-	-	-	
20,00	6,00	23,00	-	-	-	-	-	-	

★ Available BEG-1986.

Oil nozzles with spray patterns S and H up to 3.2 kg/h in keeping with DIN 4790						
Spray angle	30°	45°	60°	70°	80°	90°
Film angle	60°	70°	80°	90°	100°	110°

	kg/h	USgal/h	l/h	30°	45°	60°	70°	80°	90°
	2,00	0,60	2,27	-	-	030B0103	-	030B0203	-
	2,25	0,65	2,46	030B0004	030B0054	030B0104	-	030B0204	-
	2,50	0,75	2,84	030B0005	030B0055	030B0105	-	030B0205	-
	2,80	0,85	3,22	030B0006	030B0056	030B0106	-	030B0206	-
	3,20	1,00	3,78	030B0007	030B0057	030B0107	-	030B0207	-
	4,00	1,25	4,73	030B0009	030B0059	030B0109	-	030B0209	-
	4,50	1,35	5,11	030B0010	030B0060	030B0110	-	030B0210	-
	5,00	1,50	5,68	030B0011	030B0061	030B0111	-	030B0211	-
	6,30	2,00	7,60	030B0013	030B0063	030B0113	-	030B0213	-
	7,10	2,25	8,50	030B0014	030B0064	030B0114	-	030B0214	-
	8,00	2,50	9,50	030B0015	030B0065	030B0115	-	030B0215	-
	9,00	2,75	10,40	030B0016	030B0066	030B0116	-	030B0216	-
	10,00	3,00	11,40	030B0017	030B0067	030B0117	-	030B0217	-
	12,00	4,00	15,10	030B0019	030B0069	030B0119	-	030B0219	-
	14,00	4,50	17,00	-	030B0071	030B0121	-	030B0221	-
	16,00	5,00	19,00	-	030B0073	030B0123	-	030B0223	-
	18,00	5,50	21,00	-	030B0075	030B0125	-	030B0225	-
	20,00	6,00	23,00	-	030B0077	030B0127	-	030B0227	-
	22,00	6,50	25,00	-	030B0079	030B0129	-	030B0229	-
	25,00	7,50	28,00	-	030B0081	030B0131	-	030B0231	-
	28,00	8,50	32,00	-	030B0083	030B0133	-	030B0233	-
	32,00	10,00	38,00	-	030B0085	030B0135	-	030B0235	-
	36,00	11,00	42,00	-	030B0087	030B0137	-	030B0237	-
	40,00	12,00	45,00	-	030B0089	030B0139	-	030B0239	-
	45,00	13,50	51,00	-	-	030B0141	-	030B0241	-
	50,00	15,00	57,00	-	-	030B0143	-	030B0243	-
	56,00	17,00	64,00	-	-	030B0145	-	030B0245	-
	63,00	19,50	74,00	-	-	030B0147	-	030B0247	-
	71,00	22,00	83,00	-	-	030B0149	-	030B0249	-
	80,00	25,00	95,00	-	-	030B0151	-	030B0251	-
	90,00	28,00	106,00	-	-	030B0153	-	030B0253	-
	100,00	31,50	114,00	-	-	030B0155	-	030B0255	-



B